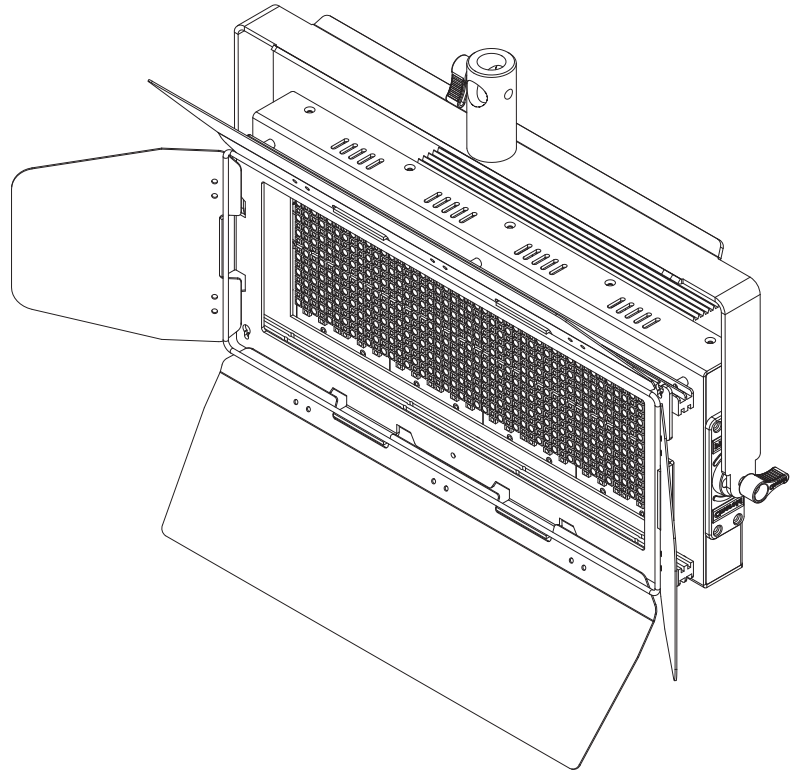


# STUDIO LED LIGHT User's Guide

LS800i / LS1600i



## Thank you for choosing the Cineroid LED light.

The Cineroid LED employs a very high color rendering index (CRI). It displays a very stable color temperature and brightness so that both motion pictures and still images can be taken in their most natural color tones. Please read this user manual thoroughly before using the Cineroid LED. It is recommended to test the Cineroid LED before use. Make sure the light comes on when powered and that the brightness control works properly.

## Safety Precautions

Please observe the following safety precautions as they are meant for the safe and proper use of the product to reduce the risk of accidents. Upon reading the user manual, keep it in a safe and available place.

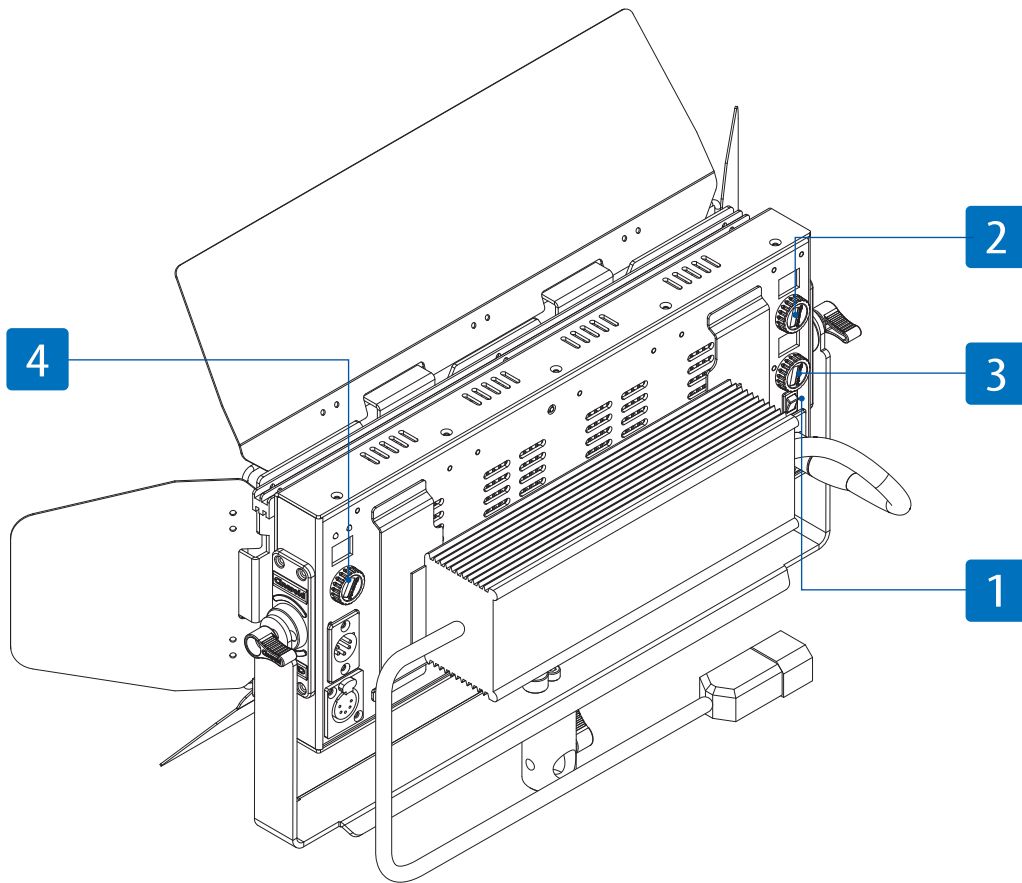
- Do not use any batteries, power cord, or accessories that are not specified in this document.
- When using a power cord, be sure to plug it in completely. Do not handle power plugs when your hands are wet. When unplugging the power cord, grasp the plug body or adapter instead of the cord.
- Power cords that are scratched, heavily bent or twisted can potentially be hazardous and a source of electric shock and/or fire.
- Do not insert foreign objects into the product's electric or cable components.
- Do not place the power cord near sources of heat as this may melt or cause damage to the cord potentially causing fire or electric shock.
- Do not disassemble or modify the product. This may damage the product and cause danger due to a malfunction.
- Please keep the product out of reach of young children. Injuries may occur due to damage to the product.
- When using the product in an airplane or hospital setting, it is recommended to acquire authorization first as signals or electro-magnetic waves from the product may cause other equipment to malfunction.
- Do not store the product in a dusty or humid environment as damage may occur.
- Do not clean the product with paint thinner, benzene, or other volatile solvents. It may cause damage to the product and become a fire hazard.
- This product is not waterproof. If the product is dropped in water, contact the service center immediately.

## Package Contents

LS Main body  
Power Cable  
Barn Door  
Diffuser  
Yoke  
Manual

## Specifications

Model	LS800i	LS1600i
Dimensions	360 x 150 x 32 mm	653 x 150 x 32 mm
Weight	1610 g	2950 g
Dimming Control	0~100 %	0~100 %
Color Temperature	2700°K~6500°K ±200°K	2700°K~6500°K ±200°K
Consumption	110 W	230 W
Light Angle	120 degree	120 degree
Mount	1/4" screw mount	1/4" screw mount
External Power	3400 Lux	8000 Lux
DMX	512 Channel	512 Channel

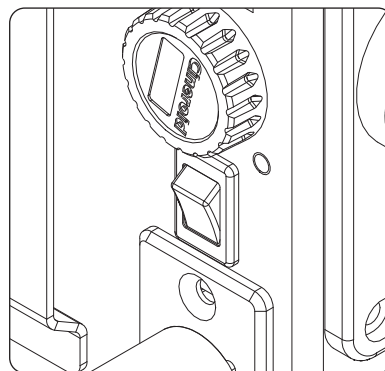


## 1 Power On/Off

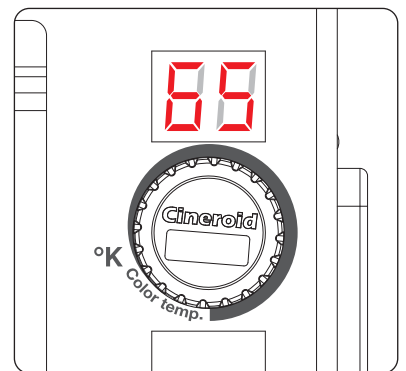
Connect AC power and Turn the power switch to the ON position. If you have an AC input, you will see the number displayed on LCD.

## 2 Adjust Color Temperature

Turn the dial to the right increases Color temperature and left decreases Color temperature. You can adjust color temperature from 2700°K to 6500°K. Display shows up to value



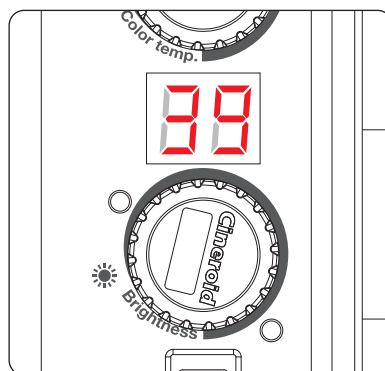
Power Switch On



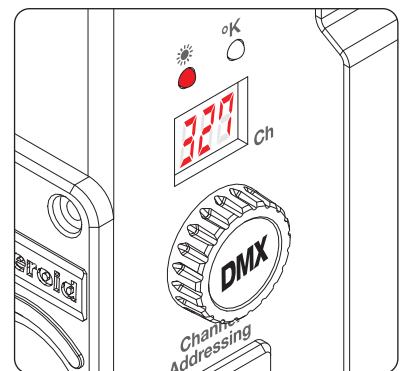
Adjust Color Temperature

## 3 Adjust Brightness

Turning the brightness dial to the right increases brightness. Turn the dial to the left decreases brightness. You can adjust the Brightness by 0~100% dimming. Display shows up to value.



Adjust Brightness



Set DMX

## 4 DMX Ready

Press the DMX button and the number will blink. Turn the DMX button to set the channel. (0~511) Pressing the DMX button again blinks the brightness and color temperature lamps. Turn the DMX button to select to adjust brightness or select brightness and color temperature. Press the DMX button again to complete the setting.

# Cineroid®

Cinema & Broadcasting Equipment

**Seculine Co., LTD.**

Tel : +82.70.4347.4901 / Fax : +82.2.4347.4999

Homepage [www.cineroid.com](http://www.cineroid.com) E-mail [support@secu-line.com](mailto:support@secu-line.com)

Room 1105, Ace techno tower 8th, 11, Digital-ro 33-gil, Guro-gu, Seoul, Republic of Korea 08380

**RoHS**  
COMPLIANT **FC** **CE**

Made in Korea